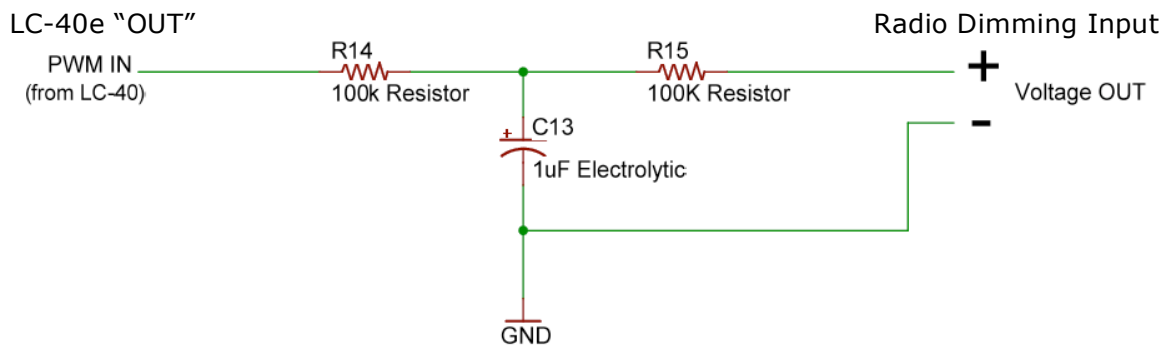


Dimming Garmin Radios with the LC-40e

Certain avionics require an analog input for dimming. The Pulse-Width Modulation (PWM) input generated by the LC-40e will not dim these devices correctly. A list of these devices is located on our website and in the LC-50 instruction manual.

If you have a device on the list here are your options:

- 1) Purchase of an LC-50. The LC-50 is designed specifically to dim these devices.
- 2) Use the radio's built in photocell (if installed) for controlling its brightness.
- 3) To use the LC-40e to dim your device, the PWM signal can be converted to an analog signal with the circuit shown below. We do not recommend this option as it provides the poorest performance.



The capacitor is a common 1uF electrolytic and the resistors are 100K 1/4 watt, both available at Radio Shack.

We suggest mounting them as a "dongle" in heat shrink tubing.

Note: The circuit above provides a signal level voltage output. It is not intended to handle the load of actual bulbs.

Rev 9/30/08